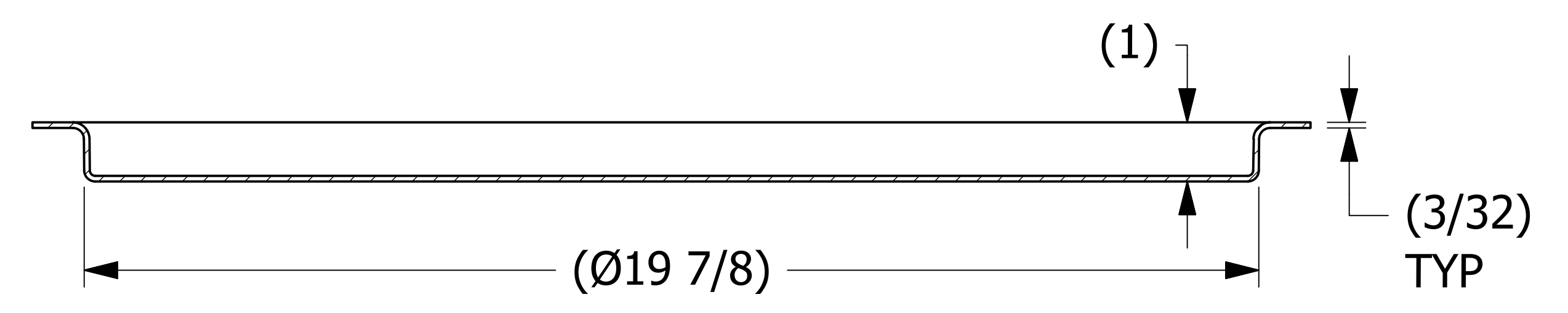
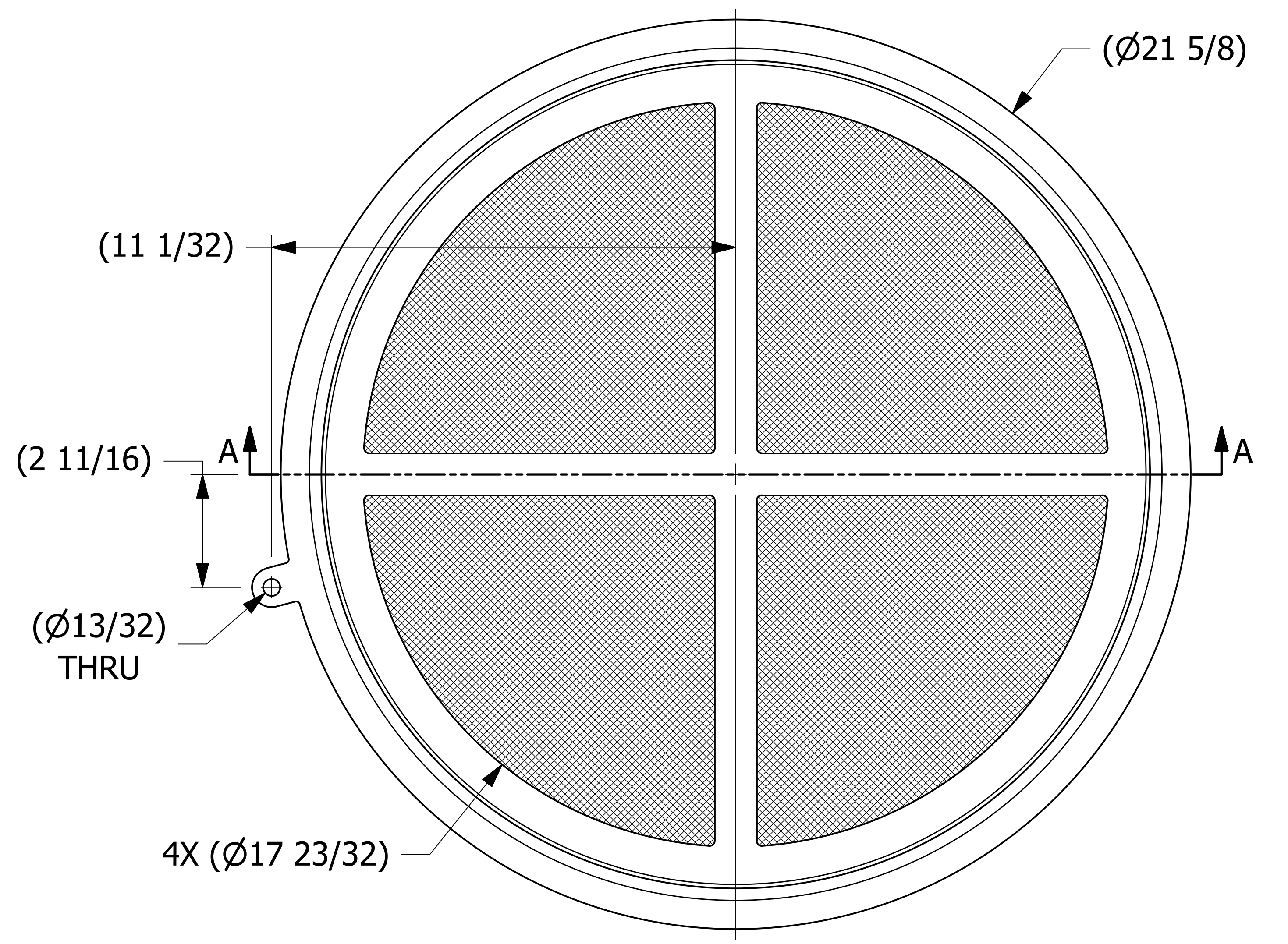


SALES DRAWING SALES DRAWING SALES DRAWING SALES DRAWING SALES DRAWING

SALES DRAWING SALES DRAWING SALES DRAWING SALES DRAWING SALES DRAWING



SECTION A-A

UNLESS OTHERWISE SPECIFIED  
DIMENSIONAL TOLERANCES  
FRACTIONAL: ±1/16  
X.XX: ±.03  
X.XXX: ±.015  
ANGULAR: ±1°  
DEBURR ALL SHARP EDGES.  
ALL MACHINED SURFACES TO  
HAVE A 125 RMS FINISH  
UNLESS NOTED OTHERWISE.  
THIRD ANGLE PROJECTION

DRAWN BY:	JDA
CHECKED BY:	
PROTOTYPE DATE:	12/12/1989
APPROVED FOR PRODUCTION BY:	JDA
PRODUCTION DATE:	12/12/1989
SIZE:	D
DRAWING #:	121289

E	CHL	12/16/21	202112160858	
REV	BY	DATE	REF #	PUB
<b>SALCO PRODUCTS, INC.</b>				
PART NAME: <b>HATCH KLEAN SEAL 20"</b>				
MATERIAL: <b>HDPE</b>				
PROJECT #:			SHEET #: <b>1 OF 1</b>	SCALE: <b>1:2</b>
PART #: <b>HKS20F</b>				